

MLC-101/121/156-BT

Fanless Wide-Screen Medical Panel Computer with Intel® Celeron® J1900 for Patient Monitoring

Features

- All-in-one wide-screen medical panel computer with Intel® Celeron® Processor J1900 SoC
- 10.1"/12.1"/15.6" display with PCAP multi-touch touchscreen and anti-glare coated safety glass
- Fanless design with IP65 rated front panel and IP21 rating for entire system, providing easy cleaning and resistance to common medical disinfection procedures
- Versatile I/O interfaces including isolated Ethernet to meet application requirements
- Isolated Ethernet design



Specifications

• System

CPU

Intel® Celeron® Processor J1900

Chipset/Graphics

Intel® HD Graphics integrated in SoC

RAM

One SO-DIMM slot supports 4GB DDR3L 1600MHz

Memory Cache

2MB

Storage

Mini PCIe supports mSATA with 32GB SSD

• Interfaces

I/O

1x USB 3.0

2x USB 2.0

1x Ethernet 10/100/1000Mbit/s, isolated 2KV

1x Full-size Mini PCIe

UI

Power status indicator LED

Projected capacitive touch panel with 7H surface hardness

• Power Supply

Power input: 100 - 240 V AC, 50/60 Hz

Power output: 12 V DC, 5.25 A

• Display

TFT Panel

10.1" (1280 x 800); 12.1" (1280 x 800); 15.6" (1366 x 768) 16.7 million colours

Luminance

500 cd/m² (10"); 400 cd/m² (12.1"); 300 cd/m² (15.6")

Viewing Angle V/H

170°/170° (10.1", 15.6"); 176°/176° (12.1")

• Mechanical

Dimensions (WxHxD): 15.6" 393.3x248.3x75.6 mm;
12.1" 312.4x 214.5x59 mm; 10.1" 267x183.6x54.5 mm

Weight (approx.): 15" 5.9 kg; 12" 4.2 kg; 10" 3.1 kg

Mounting: VESA 100/75

• Environmental

Operating: 0°C to +40°C, 10% to 90% rel. humidity (non-condensing)

Storage: -10°C to +60°C, 5% to 95% rel. humidity (non-condensing)

Ingress Rating

IP65 (Front Panel), IP21 (Entire System)

• Certifications

IEC 60601-1:2005+A1:2012 (Ed. 3.1)

IEC 60601-1-6:2010+A1:2013 (Ed. 3.1)

ANSI/AAMI ES60601-1(2005) + AMD (2012) and CAN/CSA-C22.2 No.60601-1(2008)+(2014) (Ed. 3.1)

IEC 60601-1-2:2007/EN 60601-1-2:2007

IEC 60950-1:2005+A1:2009+A2:2013

RoHS compliant

FCC Class B

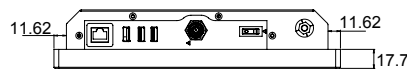
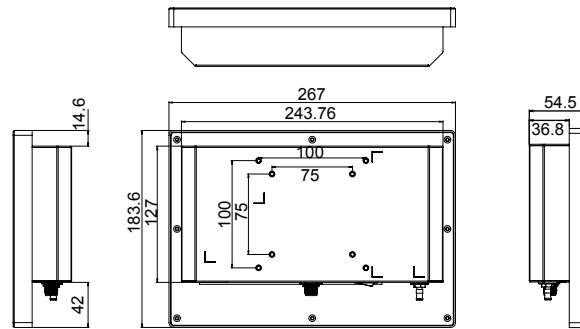
CE 55022/24 Class B

CCC

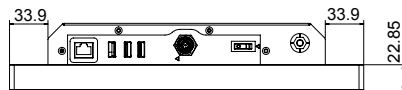
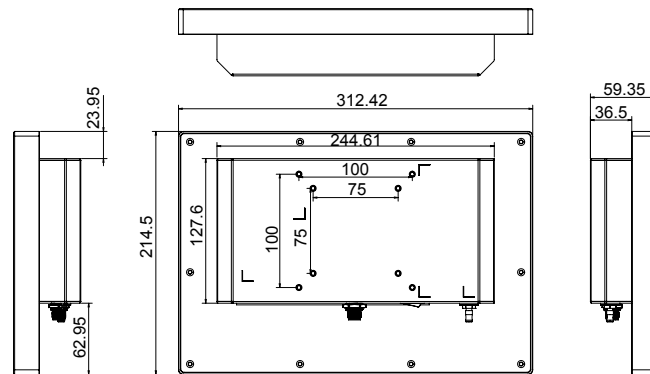
Dimensions

MLC-101-BT

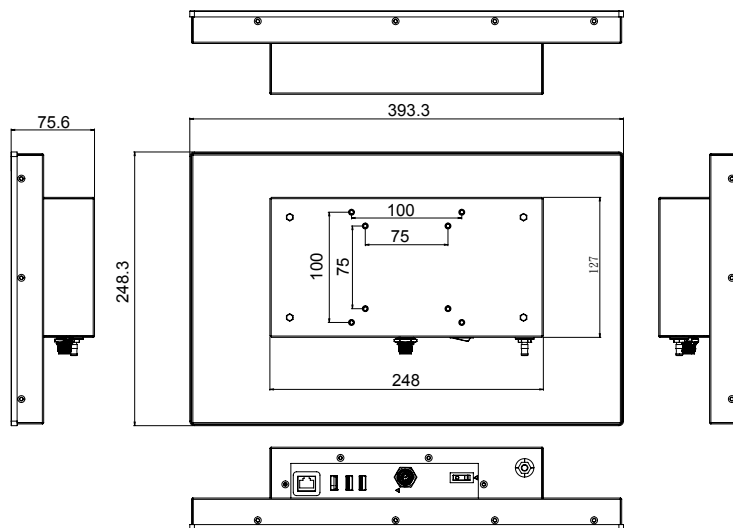
Units: mm



MLC-121-BT



MLC-156-BT



Ordering Information

- **MLC-101-BT**
10.1" Medical Panel Computer with Intel® Celeron® J1900 and Windows Embedded 7
- **MLC-121-BT**
12.1" Medical Panel Computer with Intel® Celeron® J1900 and Windows Embedded 7
- **MLC-156-BT**
15.6" Medical Panel Computer with Intel® Celeron® J1900 and Windows Embedded 7