

aTCA-9300

Intel® Xeon® E3 Quad-Core 10 Gigabit Ethernet AdvancedTCA® Processor Blade

Features

- Intel® Xeon® E3 Quad-Core or Core™ i3 Dual-Core Uniprocessor
- DDR3 1600/ECC memory up to 32 GB maximum capacity
- Intel® C216 chipset
- Dual 10GBASE-KX4/1000BASE-BX Fabric Interface channels
- RAID 0/1/5 SATA ports
- Support Intel® DPDK

AdvancedTCA®



Specifications

• CPU / Chipset / Memory

CPU

Single Quad-Core Intel® Xeon® E3-1275 v2 3.5GHz, 8MB, L2 cache
Single Quad-Core Intel® Xeon® E3-1225 v2 3.2GHz, 8MB, L2 cache
Single Dual-Core Core™ i3 3.3GHz, 3MB L3 cache

Chipset

Intel® C216 Chipset

Memory

Four DDR3-1600 240-pin VLP UDIMM sockets, up to 32GB

• BIOS

Chip

AMIBIOS® 8 on SPI flash memory

Features

Intel® PXE pre-boot

• I/O Interfaces

Graphics

Intel® Integrated HD Graphics with DirectX 11 support, up to UXGA 1920 x 1400 resolution

Ethernet

Dual Base Interface channels
Dual 10GBASE-KX4/1000BASE-BX Fabric Interface channels
Six 10/100/1000BASE-T Egress ports

Storage

One 2.5" SATA bay
On board bootable CFast socket

USB

Two USB 2.0 ports

• PICMG Standard

AdvancedTCA

PICMG® 3.0 R3.0
PICMG® 3.1 Ethernet Over PICMG 3.0 R1.0 , Option1/9

• Other Features

Operating System

Windows® Server 2008, Red Hat Enterprise Linux® 6

Operating Systems

Windows Server 2008 R2, Red Hat Enterprise Linux 6, Intel® DPDK supported

• Mechanical and Environmental

Form Factor: PICMG® 3.0 R2.0 ECN001 AdvancedTCA®
Dimensions: 322.25mm x 280mm x 6HP (L x W x H)

Operating Temp.

0°C to +50°C
Storage Temp.: -20°C to +80°C

Humidity

5% to 95%, non-condensing

Shock

15G peak-to-peak, 11ms duration, non-operation

Vibration

Non-operation: 1.88Grms, 5-500Hz each axis
Operation: 0.5Grms, 5-500Hz each axis

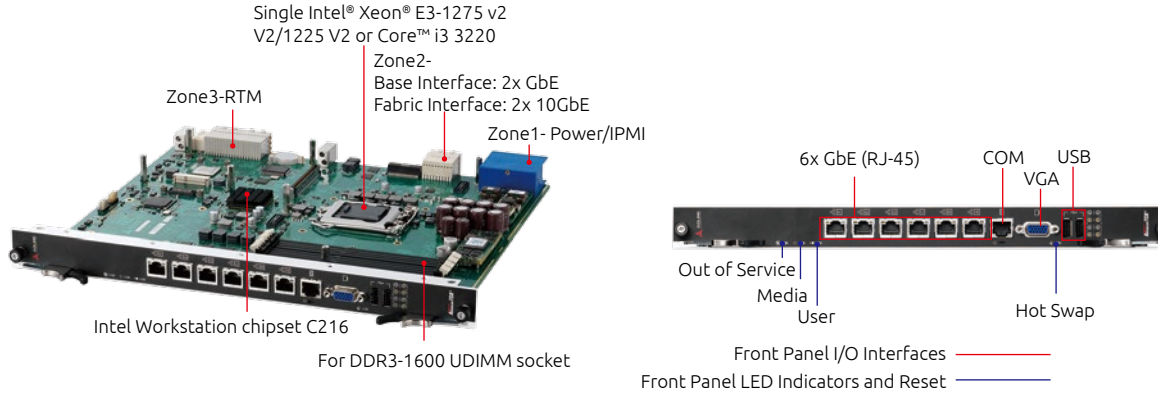
Certifications

FCC, CE, UL

Ordering Information

- aTCA-9300/S1275V2**
 Single Quad-Core E3 1275 v2 3.5GHz Xeon® 10GbE processor blade, 8 PCIe lanes to RTM
- aTCA-9300/S1225V2**
 Single Quad-core E3 1225 v2 3.2GHz Xeon® 10GbE processor blade, 8 PCIe lanes to RTM
- aTCA-9300/S3220**
 Single Dual-Core Core™ i3 3.3GHz 10GbE processor blade, 8 PCIe lanes to RTM
- aTCA-R6270**
 Rear Transition Module with USB2.0 x2, SFP+ 10GbE port and SATA drive bay x2 (hot swappable)

Mechanical Layout



Functional Diagram

