

Selection Guide

3U CompactPCI® SBC



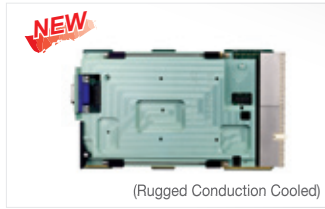
Model Name		cPCI-3965		cPCI-3920		cPCI-3915		
		cPCI-3965	cPCI-3965D	cPCI-3920A	cPCI-3920B	cPCI-3915A	cPCI-3915B	
CPU and Core Logic	CPU Support	Core™ 2 Duo/ Celeron® M		Core™2 Duo/Celeron® M		Pentium® M/Celeron® M		
	CPU Speed	2.2GHz/ 2.0GHz		1.5 GHz/1.0 GHz		2.0GHz/1.5GHz		
	Chipset	Intel® GME965/ICH8M		Intel® 3100		Intel® 915GME ICH6		
	CPU FSB (MHz)	800/533		667/533		533/400		
Form Factor & Bus	PICMG Spec.	2.0 (R3.0), 2.1 (R2.0)		2.0 (R3.0), 2.1 (R2.0)		2.0 (R3.0), 2.1 (R2.0)		
	Form Factor	3U		3U		3U		
	Slot Width	1	2	1	2	1	2	
	Host/Peripheral	Host		Host		Host		
	PCI Bandwidth (Max.)	32-bit/33 MHz		32-bit/33 MHz		32-bit/33 MHz		
	Memory	DIMM Slots	2x DDR2 SODIMM		--		1x SO-DIMM	
		Max. Soldered	--		2 GB		--	
Max. Memory		4GB		2 GB		2 GB		
ECC Capability		No		Yes		No		
Display	Graphic Controller	Intel® GME965		XGI Z11		Intel® 915GME		
	Interfaces	DVI + VGA		VGA		CRT on Front; DVI-I, LVDS on RTM		
Ethernet	Gigabit Ethernet	2F or 1F+1R (Intel® 82573L)		2F or 2R (Intel® 82571EB)		2 (Marvell 88E8052)		
	Fast Ethernet	--		--		--		
Storage	IDE HDD	--		--		--		
	CompactFlash	Yes		--		Yes		
	USB Flash	4GB onboard		Yes (SSD module)		--		
	Serial ATA	2R	1F+2R	3R	1F+3R	1F + 1R		
	Floppy	--		--		--		
I/O	Parallel	--		--		--		
	Keyboard / Mouse	--	1	--	1	--	1	
	Serial	1R	1F+1R	2R	2F + 2R	--	1F + 1R or 2F	
	USB	2F+2R	4F+2R	1F+2R	3F+2R	1F + 1R	2F + 1R	
	Audio	--		--		--		
Other	Features	Dual independent display		RS-422/485/485+ available		RS-422/485/485+ available		
Page Number		4-3		4-5		4-7		

Note: F-front SBC; R-Rear Transition Module

Recommended Combinations of SBC with Chassis

Chassis Model	cPCI Bus	Page Number	cPCI-3965		cPCI-3920	cPCI-3915
			Host	Periph.	Host Only	Host Only
cPCIS-1000 series	32-bit/33 MHz	5-5	✓	✗	✓	✓
cPCIS-2500 series	32-bit/33 MHz	5-6	✓	✗	✓	✓
cPCIS-2600 series	32-bit/33 MHz	5-2	✓	✗	✓	✓
cPCIS-2630 series	32-bit/33 MHz	5-3	✓	✗	✓	✓
cPCIS-2632 series	32-bit/33 MHz	5-3	✓	✗	✓	✓
cPCIS-2633 series	32-bit/33 MHz	5-4	✓	✗	✓	✓
cPCIS-2642 series	32-bit/33 MHz	5-4	✓	✗	✓	✓

✓: Recommended, ✗: Insertion may damage board, -: Will not function, O: Not recommended



(Rugged Conduction Cooled)

cPCI-3600
Geode™ LX 800
500 MHz
AMD CS5536
--
2.0 (R3.0)
3U
2
Host
32-bit/33 MHz
1x SO-DIMM
256MB
1280MB
No
Geode™ LX 800
CRT (1F or 1R)
--
1F + 1R (Intel® 82551QM)
Yes
1
--
--
1R
1R
1F
1F + 1R
2F
Line out, Mic-in
--
4-9

Model Name	
CPU and Core Logic	CPU Support
	CPU Speed
	Chipset
	CPU FSB (MHz)
Form Factor & Bus	PICMG Spec.
	Form Factor
	Slot Width
	Host/Peripheral
	PCI Bandwidth (Max.)
Memory	DIMM Slots
	Max. Soldered
	Max. Memory
	ECC Capability
Front I/O	
J2 signal	
Operating temp.	
Vibration	
Shock	
Page Number	

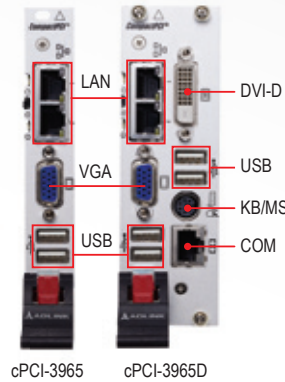
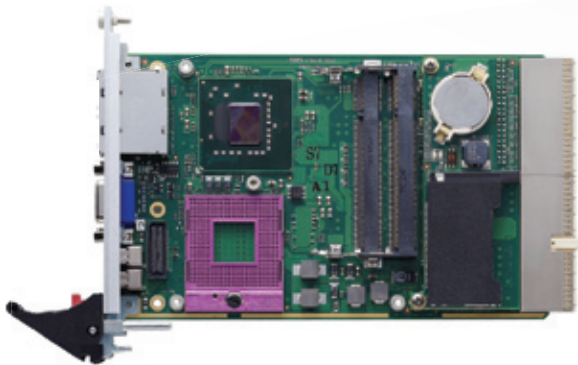
CT-30
Core™2 Duo/Celeron® M
1.5GHz/1.0GHz
Intel® 3100
667/533
2.0 (R3.0), 2.1 (R2.1)
3U
1
Host
32-bit/33 MHz
--
2GB
2GB
Yes
optional DB-15 VGA
2x GbE
2x RS-232
3x SATA
2x USB
7x GPIO
SMBus
4x 1 or 1x 4 PCI-Express
-40°C to 85°C or 70°C
22/2000 Hz: 2g in operating
40g/11ms half size in operating
4-11

cPCI-3600
Host Only
✓
✓
✓
✓
✓
✓
✓

cPCI-3965 Series

Low Power 3U CompactPCI® Intel® Core™2 Duo Processor Blade with Dual Independent Display

3U cPCI SBC



Features

- Low power Intel® Core™2 Duo 2.2GHz
- Dual Channel DDR2-667 SODIMM, up to 4GB
- VGA+DVI independent display
- Two PCI-Express Gigabit Ethernet egress ports
- Serial ATA and CompactFlash storage options

Specifications

Processor System

CPU	<p>µFC-PGA Intel® Core™2 Duo 2.2GHz (T7500), 4MB L2 cache, FSB 800MHz</p> <p>µFC-PGA Intel® Core™2 Duo LV 1.6GHz (L7500), 4MB L2 cache, FSB 800MHz</p> <p>µFC-PGA Intel® Celeron® 2.0GHz (550), 1MB L2 cache, FSB 533MHz</p>
Chipset	Intel® GME965 with ICH8M
RAM	Dual Channel DDR2-667 unbuffered non-ECC memory with two SO-DIMM sockets, up to 4GB capacity
BIOS	AMI® Core 8 16Mbit SPI Flash memory
CompactPCI Bus	32-bit/ 33 MHz CompactPCI® Bus
PICMG standard	PICMG® 2.0 CompactPCI R3.0 PICMG® 2.1 Hot Swap R2.0

Connectivity

Ethernet	Two PCI-Express Intel 82573L Gigabit Ethernet controllers Two GbE egress ports, one configurable to rear by software
Graphics	Integrated in GME965 One analog VGA port on front panel, supports up to 32bit, 2048x1536 resolution @ 75Hz refresh rate One DVI-D front port
USB	Maximum six USB 2.0 ports Four front panel USB 2.0 ports, two USB 2.0 ports on RTM
PS/2	One PS/2 KB/MS Combo Port
Serial Port	One RJ-45 RS-232 port on front panel, and one DB-9 RS-232 (TTL level) port on rear panel

Storage

SBC	One SATA port for 2.5" hard drive onboard One CompactFlash socket
RTM	Two 7-pin SATA ports on RTM for external hard drives

Operating System

OS	Microsoft Windows® XP Professional Microsoft Windows® Vista Enterprise Fedora™ Core 7
----	---

Miscellaneous

LED	Power, WDT
Battery	Coin cell Lithium Battery onboard for RTC CMOS RAM for BIOS configuration
Hardware monitoring	Integrated in super I/O IT8712F, monitoring CPU temperature, system temperature, Vcore and DC voltages
Watchdog Timer	Integrated in super I/O IT8712F, two stage watchdog timer, 1 to 15300 sec.

Mechanical & Environmental

Form Factor	3U 4HP/8HP CompactPCI® 100 mm x 160mm (L x W)
Operating Temp.	0 to 60°C standard (with forced air flow) -20 to 70°C extended temperature (optional)
Storage Temp.	-40 to 85°C
Rel. Humidity	90% @ 60°C (non-condensing)
Shock	15G peak-to-peak, 11ms duration, non-operating
Vibration	88Grms, 5-500Hz, each axis, operating IEC68-2-64 standard
Power Consumption	Core™2 Duo 2.2GHz (T7500), 2x 2GB SODIMM under Windows XP with 100% CPU loading
	Current(A) Power(W)
	5V 6.2 31.0
	3.3V 0.7 2.3
	Total 33.3

Safety & EMI

Certifications	CE, FCC Class A
----------------	-----------------

I/O Table

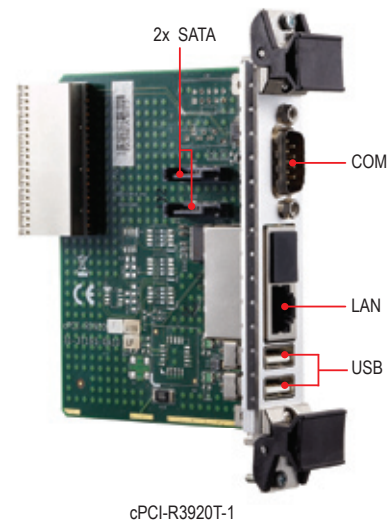
Function	cPCI-3965 (4HP)		cPCI-3965D (8HP)		cPCI-R3920(T)-1	
	Face-plate	Onboard	Face-plate	Onboard	Face-plate	Onboard
GbE	Y x2		Y x2		Y*	
USB 2.0	Y x2		Y x4		Y x2	
VGA	Y (DB-15)		Y (DB-15)			
DVI-D			Y			
COM			Y (RJ-45)		Y (DB-9)	
SATA				Y		Y x2 (7-pin)
CF		Y		Y		
PS/2 KB/MS			Y			
LED	Y x2		Y x2			
Reset Button	Y		Y			

Note: * Switched from front GbE port by BIOS

Ordering Information

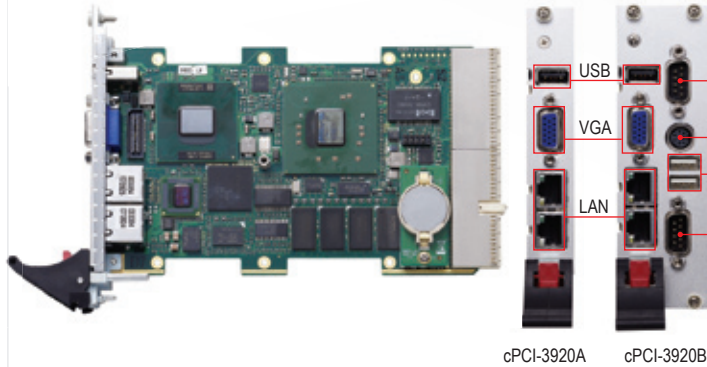
Model Number	Description/Configuration
CPU Board	
cPCI-3965/550/M1G	4HP 3U CompactPCI® with Celeron® 2.0GHz (550) processor and 2x 512MB SODIMM
cPCI-3965/T75/M1G	4HP 3U CompactPCI® with Core™2 Duo 2.2GHz (T7500) processor and 2x 512MB SODIMM
cPCI-3965/T75/M2G	4HP 3U CompactPCI® with Core™2 Duo 2.2GHz (T7500) processor and 2x 1GB SODIMM
cPCI-3965D/T75/M2G	8HP 3U CompactPCI® with Core™2 Duo 2.2GHz (T7500) processor and 2x 1GB SODIMM
cPCI-3965D/T75/M4G	8HP 3U CompactPCI® with Core™2 Duo 2.2GHz (T7500) processor and 2x 2GB SODIMM
cPCI-3965D/L75/M2G	8HP 3U CompactPCI® with Core™2 Duo 1.6GHz (L7500) processor and 2x 1GB SODIMM
Rear Transition Module	
cPCI-R3920-1	4HP Rear Transition Module for cPCI-3965(D), 50mm depth
cPCI-R3920T-1	4HP Rear Transition Module for cPCI-3965(D), 80mm depth

Contact us for more CPU, memory & HDD options.



cPCI-3920 Series

3U CompactPCI® Intel® Core™2 Duo Processor Blade with 3100 Chipset



Features

- Low power Intel® Core™2 Duo and Core™ Duo processor
- Server class Intel® 3100 chipset
- DDR2-400 Registered ECC soldered SDRAM
- Two PCI-Express® Gigabit Ethernet
- Supports USB 1.1/2.0 flash module and Serial ATA storage
- Three USB 2.0 and three serial ports

Specifications

Processor System

CPU	<ul style="list-style-type: none"> μFC-BGA Intel® Core™2 Duo LV (L7400) 1.5 GHz, 667 MHz FSB, 4 MB L2 cache μFC-BGA Intel® Core™ Duo ULV (U2500) 1.2 GHz, 533 MHz FSB, 2 MB L2 cache μFC-BGA Intel® Celeron® M Proc ULV (423) 1.07 GHz, 533 MHz FSB, 1 MB L2 cache
Chipset	Intel® 3100 (Memory Controller Hub + I/O Controller Hub)
RAM	<ul style="list-style-type: none"> Single-Channel DDR2-400 Registered ECC Soldered 1 GB, up to 2 GB
BIOS	AMI 16 Mbit FWH Flash Memory
CompactPCI Bus	32-bit/33 MHz CompactPCI® Bus, universal V(I/O)
PICMG standard	<ul style="list-style-type: none"> PICMG® 2.0 CompactPCI® R3.0 PICMG® 2.1 Hot Swap R2.0

Connectivity

Ethernet	Intel® PCI-Express® 82571EB dual port Ethernet controller Two front egress ports, switchable to RTM
Graphics	XGI Z11 PCI-E® x1 Graphics Controller 64-bit 2D Accelerator Up to 1600 x 1200 at 70 Hz 16 M colors
USB	Up to three front panel USB ports Two USB ports on RTM 9-pin header for horizontal USB NAND flash drive
PS/2	One PS/2 KB/MS Combo Port
Serial Port	Two DB-9 front panel ports, one is for RS-232, and the other one is selectable RS-232/422/485/485+ port Two TTL level RS-232 ports on RTM, one DB-9 connector on front panel, one 10-pin header onboard

Storage

SBC	Optional USB NAND flash drive, up to 8GB SATA port for 2.5" HDD direct mounting (8HP version only)
RTM	3x 7-pin SATA connectors for external HDD

Operating System

OS	<ul style="list-style-type: none"> Microsoft® Windows® XP Microsoft® Windows® Server 2003 Microsoft® Windows® Vista Enterprise, 32-bit Fedora™ 8
----	--

Miscellaneous

LED	Three LEDs: Power, WDT, CPU over temperature
Battery	Adapter designed coin cell lithium Battery for RTC CMOS RAM for BIOS configuration
Hardware monitoring	Integrated in W83792AG, Monitoring CPU temperature, Vcore and DC voltages
Watchdog Timer	Integrated in Intel® 3100, Two stage, System Reset and NMI, with programmable interval, 1 ms to 1050 sec.

Mechanical & Environmental

Form Factor	3U 4HP/8HP CompactPCI® 100mm x 160mm (LxW)												
Operating Temp.	0°C to 60°C with external air flow -20°C to 70°C Extended temperature optional												
Storage Temp.	-40°C to 85°C												
Rel. Humidity	5% to 95% non-condensing												
Shock	20G peak-to-peak, half-sine, 11ms duration in operating												
Vibration	2 Grms, 5-500 Hz, each axis in operating												
Power Consumption	Core™2 Duo 1.5GHz (L7400), 1GB DDR2-400 soldered, under Windows® XP with 100% CPU loading												
	<table border="1"> <thead> <tr> <th></th> <th>Current(A)</th> <th>Power(W)</th> </tr> </thead> <tbody> <tr> <td>3.3V</td> <td>1.61</td> <td>5.31</td> </tr> <tr> <td>5V</td> <td>6.02</td> <td>30.10</td> </tr> <tr> <td>Total</td> <td></td> <td>35.41</td> </tr> </tbody> </table>		Current(A)	Power(W)	3.3V	1.61	5.31	5V	6.02	30.10	Total		35.41
	Current(A)	Power(W)											
3.3V	1.61	5.31											
5V	6.02	30.10											
Total		35.41											

Safety & EMI

Certifications	CE, FCC Class A
----------------	-----------------

I/O Table

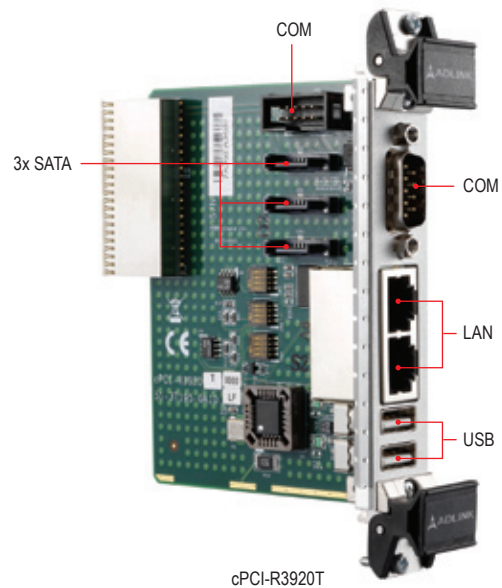
Function	cPCI-3920A		cPCI-3920B		cPCI-R3920	
	Face-plate	Onboard	Face-plate	Onboard	Face-plate	Onboard
GbE	Y x2*		Y x2*		Y x2*	
USB	Y	Y (9-pin)	Y x3	Y (9-pin)	Y x2	
VGA	Y		Y			
COM3/4			Y (DB-9)			
COM1					Y (DB-9)	
COM2						Y (10-pin)
SATA				Y		Y x3
PS/2 KB/MS			Y			
LED	Y x3		Y x3			
Reset Button	Y		Y			

Note* : Switchable to front or rear by software selection.

Ordering Information

Model Number	Description/Configuration
CPU Board	
cPCI-3920A/C2D15/M1G	Single-slot 3U CompactPCI® Core™2 Duo LV 1.5 GHz SBC with 512 MB soldered REG/ECC DDR2 SDRAM
cPCI-3920A/CM10/M1G	Single-slot 3U CompactPCI® Celeron® M LV 1.0 GHz SBC with 1 GB soldered REG/ECC DDR2 SDRAM
cPCI-3920B/C2D15/M1G	Dual-slot 3U CompactPCI® Core™2 Duo LV 1.5 GHz SBC with 1 GB soldered REG/ECC DDR2 SDRAM
cPCI-3920B/CD12/M1G	Dual-slot 3U CompactPCI® Core™ Duo 1.2 GHz SBC with 1 GB soldered REG/ECC DDR2 SDRAM
cPCI-3920B/CM10/M1G	Dual-slot 3U CompactPCI® Celeron® M LV 1.0 GHz SBC with 1 GB soldered REG/ECC DDR2 SDRAM
cPCI-3920B/C2D15/M2G	Dual-slot 3U CompactPCI® Core™2 Duo LV 1.5 GHz SBC with 2 GB soldered REG/ECC DDR2 SDRAM
cPCI-3920B/CD12/M2G	Dual-slot 3U CompactPCI® Core™ Duo 1.2 GHz SBC with 2 GB soldered REG/ECC DDR2 SDRAM
Rear Transition Module	
cPCI-R3920	Rear Transition Module for cPCI-3920, 50 mm depth
cPCI-R3920T	Rear Transition Module for cPCI-3920, 80 mm depth

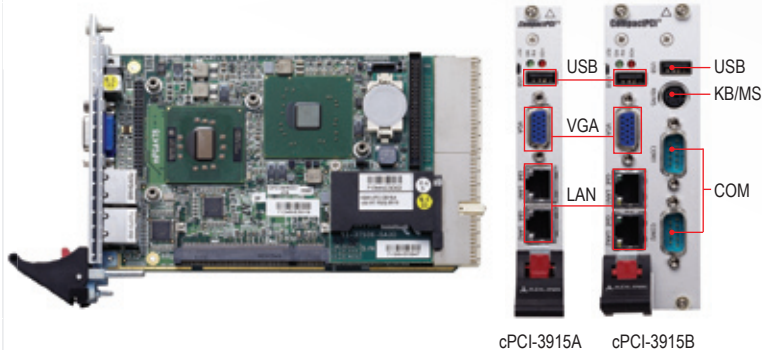
Contact us for more CPU, memory & HDD options.



cPCI-3915 Series

3U CompactPCI® Intel® Pentium® M/Celeron® M Processor SBC with Dual-GbE on PCI-Express®

3U cPCI SBC



Features

- Low power Intel® Celeron® M/Pentium® M processor up to 2.0 GHz
- Single SODIMM socket DDR2 400/533 MHz, up to 2 GB
- Dual PCI-Express® Gigabit Ethernet
- Multiple storage interfaces: Serial ATA , IDE, CompactFlash®
- Supports high resolution, dual-channel, multiple display interfaces: CRT, DVI and LVDS
- Extended temperature option

Specifications

Processor System

CPU	<ul style="list-style-type: none"> μFC-PGA Intel® Pentium® M 2.0 GHz, 2 MB L2 cache, 533MHz FSB μFC-PGA Intel® Pentium® M 1.8GHz, 2 MB L2 cache, 400MHz FSB, μFC-PGA Intel® Pentium® M 1.6GHz, 1 MB L2 cache, 400MHz FSB μFC-BGA Intel® Pentium® M LV 1.4 GHz, 1 MB L2 cache, 400MHz FSB μFC-PGA Intel® Celeron® M 1.5 GHz, 1 MB L2 cache, 400MHz FSB μFC-BGA Intel® Celeron® M ULV 1.0 GHz, 512 KB L2 cache, 400MHz FSB
Chipset	Intel® 915GME GMCH with ICH6
RAM	Single un-buffered, non-ECC, DDR2-400/533 SODIMM, up to 2GB
BIOS	Award 4 Mb flash memory
CompactPCI Bus	32-bit/33 MHz PCI™ bus, universal V(I/O)
PICMG standard	<ul style="list-style-type: none"> PICMG® 2.0 CompactPCI R3.0 PICMG® 2.1 Hot Swap R2.0

Connectivity

Ethernet	<ul style="list-style-type: none"> Two PCI-Express Marvel 88E8052 Gigabit Ethernet controllers Two egress Gigabit Ethernet ports
Graphics	<ul style="list-style-type: none"> Integrated in Intel® 915GME chipset Analog CRT on front panel for up to 2048x1536 resolution DVI-I port on rear panel with analog and digital signal 1x18bps LVDS port on RTM
USB	Three USB 2.0 ports, two on the front panel, one on the rear panel
PS/2	One PS/2 KB/MS Combo Port
Serial Port	<ul style="list-style-type: none"> Two DB-9 connectors (COM 1 & 2) on the front panel COM2 is also routed to RTM and supports RS-232/422/485/485+ by jumper setting

Storage

SBC	<ul style="list-style-type: none"> 44-pin IDE port for 2.5" HDD by cabling (8HP version only) 7-pin SATA port for 2.5" HDD by cabling (8HP version only) CompactFlash slot
RTM	One 7-pin SATA port for external HDD

Operating System

OS	<ul style="list-style-type: none"> Microsoft® Windows® 2000 Microsoft® Windows® XP Microsoft® Windows® Server 2003 Red Hat® Fedora™ Core 4 & 5
----	--

Miscellaneous

LED	HDD, Power/WDT
Battery	Coin cell Lithium Battery onboard for RTC CMOS RAM for BIOS configuration
Hardware monitoring	Integrated in IT8712F, monitoring CPU temperature, system temperature, Vcore and DC voltages
WatchDog Timer	Integrated in IT8712F, two stage, 1 to 255 sec or 1 to 255 min

Mechanical & Environmental

Form Factor	<ul style="list-style-type: none"> 3U 4HP/8HP CompactPCI® 100 mm x 160 mm (L x W)
Operating Temp.	<ul style="list-style-type: none"> 0°C to 60°C with external air flow -20°C to 75°C extended temperature optional
Storage Temp.	-40°C to 85°C
Rel. Humidity	95% non-condensing
Shock	15 G peak-to-peak, 11 ms duration, non-operation
Vibration	<ul style="list-style-type: none"> Operating: 0.5 G-rms, 5-500 Hz, each axis Non-operating: 1.88 G-rms, 5-500 Hz, each axis
Power Consumption	<ul style="list-style-type: none"> Typical 30 W (5 V @ 3.1 A, 3.3 V @ 4.4 A) Full-load 45 W (5 V @ 5.8 A, 3.3 V @ 4.6 A) with Pentium® M 1.8 G, 512 MB DDR2, 20 GB IDE HDD, 512 MB CF, under Windows® XP

Safety & EMI

Certifications	CE, FCC Class A
----------------	-----------------

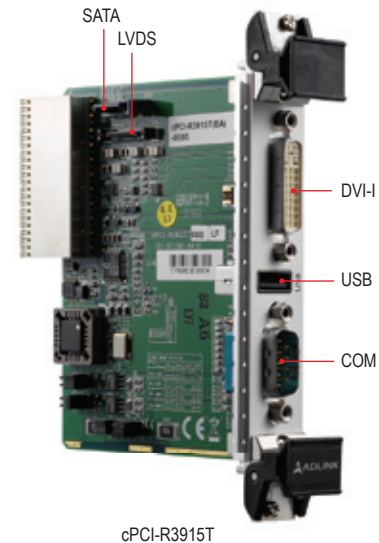
I/O Table

Function	cPCI-3915A		cPCI-3915B		cPCI-R3915(T)	
	Face-plate	Onboard	Face-plate	Onboard	Face-plate	Onboard
CRT	Y (DB-15)		Y (DB-15)			
DVI					Y (DVI-I)	
LVDS						Y
LAN	Y (RJ-45) x2		Y (RJ-45) x2			
USB	Y x1		Y x2		Y x1	
PS/2 KB/MS			Y (Combo)			
COM1			Y (DB-9)			
COM2			Y(DB-9)		Y (DB-9)	
SATA		Y		Y		Y
PATA		Y (44-pin)		Y (44-pin)		
CF		Y		Y		
Reset	Y		Y			
LEDs	Y		Y			

Ordering Information

Model Number	Description/Configuration
CPU Board	
cPCI-3915A/CM15/M512	1-slot 3U cPCI with Celeron® M 1.5GHz processor and 512MB DDR2 SODIMM
cPCI-3915B/PM20/M2G	2-slot 3U cPCI with Pentium® M 2.0GHz processor and 2GB DDR2 SODIMM
cPCI-3915A-ULV/C10/M512	1-slot 3U cPCI with soldered ultra low voltage Celeron® M 1.0GHz processor and 512MB DDR2 SODIMM
cPCI-3915A-LV/P14/M1G	1-slot 3U cPCI with soldered Low voltage Pentium® M 1.4GHz processor and 1GB DDR2 SODIMM
Rear Transition Module	
cPCI-R3915	Rear Transition module for cPCI-3915, 50 mm
cPCI-R3915T	Rear Transition Module for cPCI-3915, 80 mm

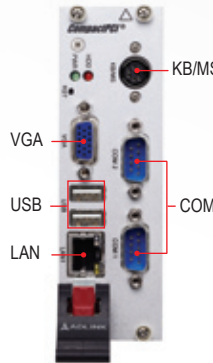
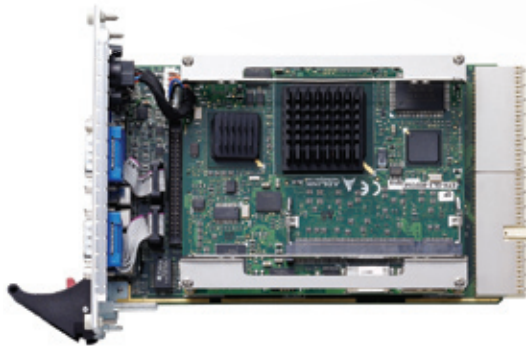
Contact us for more CPU, memory & HDD options.



cPCI-3600 Series

3U CompactPCI® Processor Blade with
AMD Geode™ LX 800 @ 0.9W

3U cPCI SBC



cPCI-3600

Features

- Low Power AMD Geode™ LX 800 @ 0.9W
- Optional 256 MB soldered DDR and additional 200-pin SODIMM socket
- VGA on front or rear supporting up to 1920 x 1440 32-bit resolution
- Supports two USB 2.0, two Fast LAN, two serial ports and AC'97 Audio
- IDE, CompactFlash® and rear Floppy storage
- Under 10W power consumption and Fanless Operation

Specifications

Processor System

CPU	AMD Geode™ LX 800 CPU 500 MHz, 128 KB L2 cache
Chipset	AMD Geode™ CS5536 companion device
RAM	Supports optional 256 MB soldered DDR-400 SDRAM and one 200-pin SODIMM socket, up to 1 GB
BIOS	Award-Phoenix 2 Mb flash memory
CompactPCI Bus	32-bit/33 MHz CompactPCI® Bus, universal V (I/O)
PICMG standard	PICMG® 2.0 CompactPCI® R3.0

Connectivity

Ethernet	Two 10/100BASE-T Ethernet ports supported by Intel® 82551QM controller
Graphics	Integrated in the AMD Geode™ LX 800 1920 x 1440 32-bit bpp at 85 Hz DB-15 VGA interface on front or rear panel by switch selection
USB	Two USB 2.0 on front panel, optional one USB port on RTM on request
PS/2	PS/2 Keyboard Mouse Combo port on front panel
Serial Port	Two DB-9 RS-232 ports on front panel

Storage

SBC	CompactFlash socket on board 44-pin IDE connector for 2.5" HDD
RTM	One floppy port onboard

Operating System

OS	Microsoft® Windows® XP Fedora™ Core 6
----	--

Miscellaneous

LED	Power, HDD
Battery	Coin cell Lithium Battery for RTC CMOS RAM for BIOS configuration
Hardware monitoring	Integrated in Winbond W83627HG monitors supply voltages and CPU temperature
Watchdog Timer	255-level timer generates system reset

Mechanical & Environmental

Form Factor	3U 8HP CompactPCI® 100 mm x 160 mm (L x W)
Operating Temp.	0°C to 60°C Extended temperature option
Storage Temp.	-40°C to 80°C
Rel. Humidity	20-90% non-condensing
Shock	15 G peak-to-peak, 11 ms duration, non-operation
Vibration	Operating: 0.5 Grms, 5 to 500 Hz, each axis Non-operating: 1.88 Grms, 5 to 500 Hz, each axis
Power Consumption	Full Load 7W (+5 V at 1.4 A); Typical Load 6 W (+5 V at 1.1 A) AMD Geode™ LX 800 with 1 GB socket memory & 40 GB IDE HDD

Safety & EMI

Certifications	CE, FCC Class A
----------------	-----------------

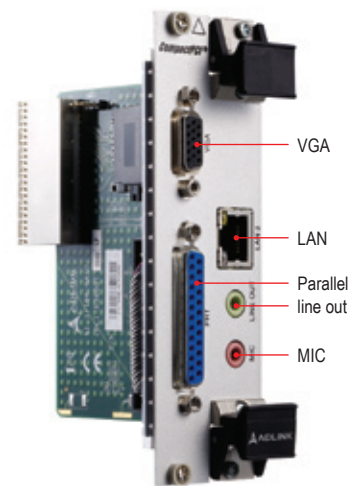
I/O Table

Function	cPCI-3600		cPCI-R3600	
	Face-plate	Onboard	Face-plate	Onboard
Audio			Y x2	
CF		Y		
USB 2.0	Y x2			
Fast LAN	Y		Y	
COM	Y x2			
LPT*			Y	
VGA	Y		Y	
PS/2 KB/MS	Y			
IDE HDD		44-pin		
LED	Y			
Reset Button	Y			
Floppy*				Y

Note: * LPT and Floppy cannot be used simultaneously, and selected by BIOS

Ordering Information

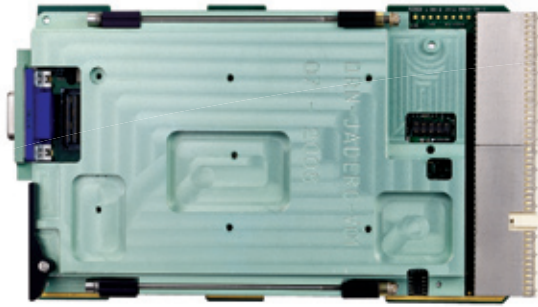
Model Number	Description/Configuration
CPU Board	
cPCI-3600/LX800	2-slot 3U CompactPCI® with AMD Geode™ LX 800 without memory
cPCI-3600/LX800/256	2-slot 3U CompactPCI® with AMD Geode™ LX 800 and soldered 256 MB DDR400 memory
cPCI-3600/LX800-256/M512	2-slot 3U CompactPCI® with AMD Geode™ LX 800 and soldered 256 MB and 512 MB DDR400 SODIMM
cPCI-3600/LX800/M1G	2-slot 3U CompactPCI® with AMD Geode™ LX 800 and 1 GB DDR400 SODIMM without soldered memory
Rear Transition Module	
cPCI-R3600	3U 2-slot Rear Transition module for cPCI-3600, 50 mm
cPCI-R3600T	3U 2-slot Rear Transition module for cPCI-3600, 80 mm



cPCI-R3600

CT-30 Series

Rugged Conduction Cooled 3U CompactPCI® Intel® Core™2 Duo Processor Blade



Features

- Low power Intel® Core™2 Duo and Core™ Duo processor
- DDR2-400 Registered ECC Soldered SDRAM
- Two PCI-Express® Gigabit Ethernet Ports
- PCI-Express® x4 or PCI-Express® 4 x1 to J2
- Supports low profile USB flash module disk

Specifications

Processor System

CPU	<p>µFC-BGA Intel® Core™2 Duo LV (L7400) 1.5 GHz, 667 MHz FSB, 4 MB L2 cache</p> <p>µFC-BGA Intel® Core™ Duo ULV (U2500) 1.2 GHz, 533 MHz FSB, 2 MB L2 cache</p> <p>µFC-BGA Intel® Celeron® M Proc ULV (423) 1.07 GHz, 533 MHz FSB, 1 MB L2 cache</p>
Chipset	Intel® 3100 (Memory Controller Hub + I/O Controller Hub)
RAM	Single-Channel DDR2-400 Registered ECC Soldered 1GB, 2GB available on request
BIOS	AMI 16 Mbit FWH Flash Memory
CompactPCI Bus	32-bit/33 MHz CompactPCI® Bus
PICMG standard	PICMG® 2.0 CompactPCI® R3.0 PICMG® 2.1 Hot Swap R2.0

Connectivity

Ethernet	Intel® PCI-Express® 82571EB dual port Ethernet controller Two Gigabit Ethernet ports on RTM without LEDs
Graphics	XGI Z11 PCI-E® x1 2D Graphics Controller 32MB DDR2 SDRAM Up to 1600 x 1200 at 70 Hz 16 M colors Optional Analog DB-15 VGA connector on front panel
USB	Two USB 2.0 ports on RTM
Serial Port	One RS-232 port, one 10-pin header on RTM (TTL level)

Storage

SBC	Optional USB flash disk module
RTM	3x 7-pin SATA connectors onboard

Operating System

OS	Microsoft® Windows® XP Microsoft® Windows® Server 2003 Microsoft® Windows® Vista Enterprise, 32-bit Fedora™ 8
----	--

Miscellaneous

LED	Three LEDs: Power, WDT, CPU overtemperature
Battery	N/A
Hardware monitoring	Integrated in W83792AG, Monitoring CPU temperature, Vcore and DC voltages
Watchdog Timer	Integrated in Intel® 3100, Two stages, System Reset and NMI, with programmable interval, 1 us to 1050 sec.

Mechanical & Environmental

Form Factor	3U 4HP (single slot width) CompactPCI® 100 mm x 160 mm (L x W)
-------------	---

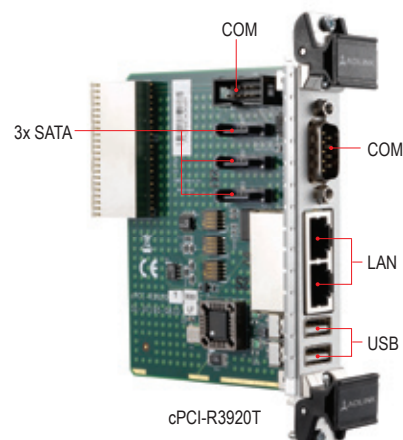
Operating Temp.	-40°C to 85°C for U2500 and 423 processors -40°C to 70°C for L7400 processor by conduction cooled with standard conformal coating
Storage Temp.	-40°C to 85°C
Rel. Humidity	95% without condensation
Shock	40G Half Sine, 11 ms duration in operating (with USB flash disk)
Vibration	22Grms, 2000 Hz each axis in operating (with USB flash disk)
Power Consumption	Windows® XP with 100% CPU usage: Core™2 Duo 1.5GHz- 36W Core™ Duo 1.2GHz -27W Celeron® M 1.07GHz- 24W

Safety & EMI

Certifications	CE, FCC Class A
----------------	-----------------

Ordering Information

Model Number	Description/Configuration
CT-30/C2D15/M1G	Rugged Conduction Cooled 3U CompactPCI® Core™2 Duo LV 1.5 GHz SBC with 1 GB soldered REG/ECC DDR2 SDRAM without VGA
CT-30/CD12/M1G	Rugged Conduction Cooled 3U CompactPCI® Core™ Duo 1.2 GHz SBC with 1 GB soldered REG/ECC DDR2 SDRAM without VGA
CT-30/CM10/M1G	Rugged Conduction Cooled 3U CompactPCI® Celeron® M LV 1.0 GHz SBC with 1 GB soldered REG/ECC DDR2 SDRAM without VGA
CT30/C2D15/M2G	Rugged Conduction Cooled 3U CompactPCI® Core™2 Duo LV 1.5 GHz SBC with 2 GB soldered REG/ECC DDR2 SDRAM without VGA
cPCI-R3920T	Rear Transition Module for CT-30, 80 mm depth
SUSB-4GB-LP	4GB low profile USB flash disk module
SUSB-8GB-LP	8GB low profile USB flash disk module



3U CompactPCI Peripheral Cards

PMC Modules

cPCI-8211/cPCI-8211R

3U CompactPCI/PXI Fast Ethernet Cards

- PICMG® 2.0 32-bit/33 MHz CompactPCI™ specifications
- Intel® 82559 Ethernet Controller
- Supports 10/100 Base-TX Ethernet Standard
- Compliant with IEEE802.3u Ethernet Specifications
- cPCI-8211 is PXI compatible.
- cPCI-8211R is a 50 mm RTM with J2 and rear I/O



cPCI-8217/cPCI-8217R

3U CompactPCI/PXI VGA/LCD Interface Cards

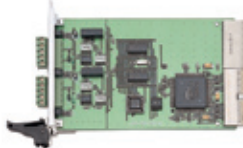
- PICMG® 2.0 32-bit/33 MHz CompactPCI® specifications
- SMI-721 graphic controller with 8 M built-in VRAM
- Max. 1280 x 1024, 24-bit true color
- On-board 44-pin LCD interface, LCD brightness adjustable
- cPCI-8217 is PXI compatible
- cPCI-8217R is a 50 mm RTM with J2 and rear I/O



cPCI-7841

Dual-port Isolated CAN Interface Card

- PICMG® 2.0 Rev 2.1
- Dual-independent CAN network operation
- Up to 1 Mbps programmable transfer rate
- 16 MHz CAN controller frequency
- 2500 V_{RMS} optical isolation
- Direct memory mapping to the CAN controllers
- Powerful master interface for CAN bus protocols
- Rear I/O available on cPCI-7841R



cPCI-3544

4-Port RS-422/485 Isolated Serial Communications Card

- 32-bit CompactPCI®, PICMG® 2.0 Rev 2.1
- Plug-and-play, IRQ & I/O address automatically assigned by PCI BIOS
- Four asynchronized communications ports with intelligent buffer
- Four RS-422/485 ports
- 2500 V_{RMS} isolation voltage
- Supports multiple OS
- Surge protectors
- Rugged DB37 connector
- Only supports CompactPCI interface 5 V (I/O)



PMC-8246

Dual-Gigabit Ethernet Ports PCI-X - PMC Modules with Failover Function

- Dual-Gigabit Ethernet Ports
- Support PCI-X - PMC Modules up to 133 MHz
- Failover capability during system power off or software halt
- Software programmable failover control
- DIP Switch selectable failover control
- Programmable watchdog timer, WDT status read-back
- Intel® - PMC Modules Boot Agent BIOS



PMC-8681

2-Port RS-232, 2-Port RS-232/485/422 UART PMC Module

- PMC IEEE P1386.1 Spec. 32-bit/33 MHz PCI - PMC Modules
- 4-port Serial UART OXFORD OX16 controller
- Ports 1, 2 support RS-232 (two DB-9 front panel connectors)
- Ports 3, 4 support RS-232/422/485 jumper selectable
- Four on-board headers for all four ports



PMC-8676

Quad-USB v2.0 Ports PMC Module

- PMC IEEE P1386.1 Spec. 32-bit/33 MHz PCI - PMC Modules
- Four USB 2.0 ports
- Philips - PMC Modules ISP1561 Hi-Speed USB PCI - PMC
- Modules host controller
- Supports all Hi-Speed USB transfer speed modes
- High-speed (480 Mb/s), full-speed (12 Mb/s) and low-speed (1.5 Mb/s)



PMC-8219

PMC VGA Module

- PMC IEEE P1386.1 Spec. 32-bit/33 MHz PCI - PMC Modules
- ATI Rage XL graphic controller with 16 MB VRAM
- Supports up to 1280 x 1024 VGA display in 24-bit true color
- High performance, 2D, 3D, and video acceleration
- ACPI, VESA DPMS, and VESA DDC 2-bit compliant

